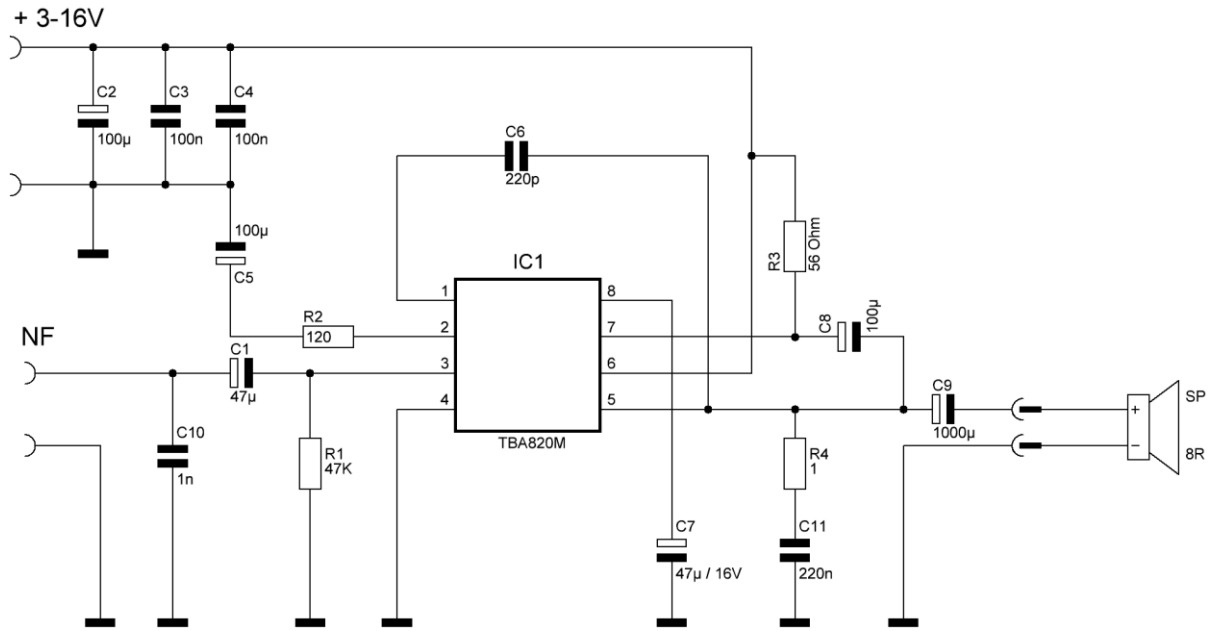


2 Watt NF-Verstärker - Schaltplan



2Watts Audio Amplifier with TBA820M - Stefan Heesch, HB9TWS

Stückliste

C1	= 47 μ (16V)
C2	= 100 μ (16V)
C3	= 100n
C4	= 100n
C5	= 100 μ (16V)
C6	= 220p
C7	= 47 μ / 16V
C8	= 100 μ (16V)
C9	= 1000 μ (16V)
C10	= 1n (Optional)
C11	= 220n
IC1	= TBA820M
R1	= 47K
R2	= 120
R3	= 56 Ohm
R4	= 1
SP	= 8R